

# Amortizoare de soc seria ACA

## Amortizoare de soc seria ACA

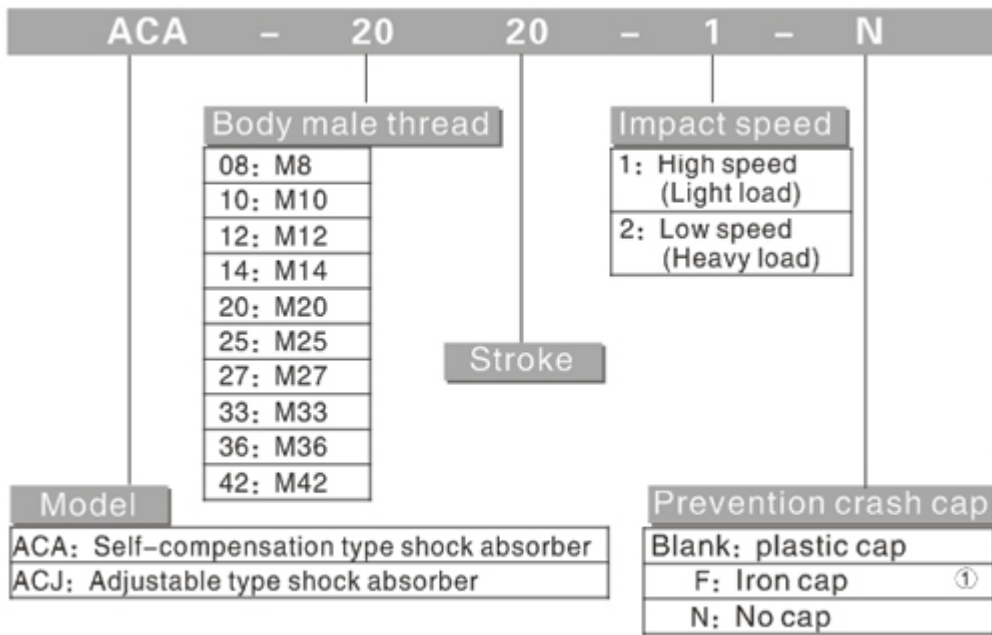
### Descriere

- Rezistentă ajustabilă automat în funcție de impact.
- Corpul este tratat împotriva coroziunii, uzurii și poate rezista presiunilor ridicate. Usor de instalat și reglat, datorită filetelor care îl acoperă întregul corp.
- Procesele speciale de ungere conduc la o amortizare stabilă a socului.
- Structura compactă și absorbție de energie maximă, ridicată.

### Specificatii

| Model   | Cursa<br>mm | Energia<br>maxima<br>absorbita<br>(Nm) | Energia maxima<br>absorbita/ora(Nm/h) | Masa efectiva<br>maxima(Kg) |                | Impact viteza<br>maxim (m/s) |                | Greutate<br>(g) |
|---------|-------------|--|---------------------------------------|-----------------------------|----------------|------------------------------|----------------|-----------------|
|         |             |  |                                       | Viteza<br>mare              | Viteza<br>mica | Viteza<br>mare               | Viteza<br>mica |                 |
| ACA0806 | 6           | 3                                      | 5400                                  | 5                           | 25             | 4                            | 2              | 12              |
| ACA1007 | 7           | 6                                      | 14500                                 | 10                          | 50             | 4                            | 2              | 26              |
| ACA1210 | 10          | 10                                     | 30000                                 | 18                          | 80             | 4                            | 2              | 40              |
| ACA1412 | 12          | 20                                     | 36000                                 | 35                          | 160            | 4                            | 2              | 70              |
| ACA2020 | 20          | 60                                     | 50000                                 | 240                         | 960            | 4                            | 2              | 175             |
| ACA2040 | 40          | 80                                     | 65000                                 | 320                         | 1280           | 4                            | 2              | 225             |
| ACA2525 | 25          | 100                                    | 75000                                 | 400                         | 1600           | 4                            | 2              | 290             |
| ACA2550 | 50          | 150                                    | 85000                                 | 600                         | 2400           | 4                            | 2              | 370             |
| ACA2725 | 25          | 140                                    | 85000                                 | 560                         | 2240           | 4                            | 2              | 372             |
| ACA2750 | 50          | 250                                    | 95000                                 | 1000                        | 4000           | 4                            | 2              | 475             |
| ACA3325 | 25          | 180                                    | 100000                                | 720                         | 2880           | 4                            | 2              | 596             |
| ACA3350 | 50          | 300                                    | 120000                                | 1200                        | 4800           | 4                            | 2              | 750             |
| ACA3625 | 25          | 220                                    | 135000                                | 880                         | 2500           | 4                            | 2              | 702             |
| ACA3650 | 50          | 350                                    | 150000                                | 1400                        | 5600           | 4                            | 2              | 889             |

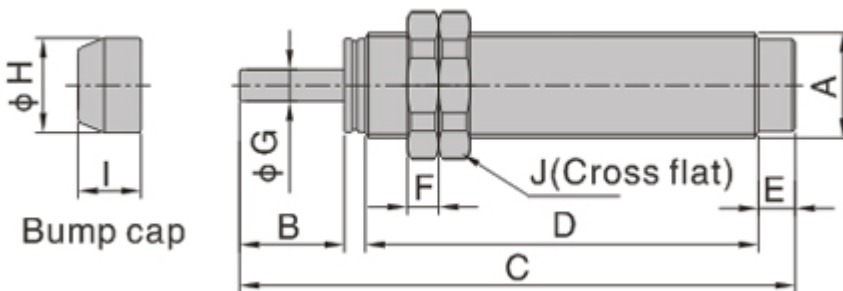
### Cod comanda



Note<sup>①</sup>: Only for body's male thread: M20 or above.

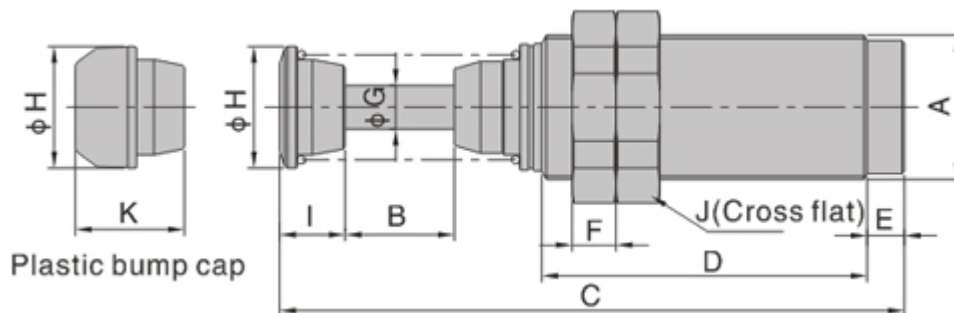
## Dimensiuni

### Tip de compresie(ACA)



| Model\Cota | A       | B  | C   | D    | E | F | G | H   | I  | J  |
|------------|---------|----|-----|------|---|---|---|-----|----|----|
| ACA0806    | M8×1.0  | 6  | 44  | 30   | 5 | 4 | 3 | 6.5 | 6  | 11 |
| ACA1007    | M10×1.0 | 7  | 55  | 40   | 5 | 4 | 3 | 8.5 | 7  | 14 |
| ACA1210    | M12×1.0 | 10 | 60  | 41.5 | 5 | 4 | 3 | 8.5 | 7  | 17 |
| ACA1412    | M14×1.5 | 12 | 78  | 57.5 | 5 | 6 | 4 | 12  | 12 | 19 |
| ACA2020    | M20×1.5 | 20 | 106 | 75   | 7 | 6 | 6 | 18  | 12 | 26 |
| ACA2040    | M20×1.5 | 40 | 161 | 110  | 7 | 6 | 6 | 18  | 12 | 26 |
| ACA2525    | M25×1.5 | 25 | 119 | 81   | 8 | 6 | 6 | 18  | 12 | 32 |
| ACA2550    | M25×1.5 | 50 | 179 | 116  | 8 | 6 | 6 | 18  | 12 | 32 |

|         |         |    |     |     |   |   |   |    |    |    |
|---------|---------|----|-----|-----|---|---|---|----|----|----|
| ACA2725 | M27×1.5 | 25 | 125 | 87  | 8 | 6 | 8 | 23 | 15 | 36 |
| ACA2750 | M27×1.5 | 50 | 190 | 140 | 8 | 6 | 8 | 23 | 15 | 36 |



| Model/Cota | A       | B  | C   | D     | E   | F  | G  | H    | I  | J  | K  |
|------------|---------|----|-----|-------|-----|----|----|------|----|----|----|
| ACA3325    | M33×1.5 | 25 | 143 | 74.5  | 8.5 | 10 | 10 | 27.8 | 15 | 41 | 25 |
| ACA3350    | M33×1.5 | 50 | 208 | 114.5 | 8.5 | 10 | 10 | 27.8 | 15 | 41 | 25 |
| ACA3625    | M36×1.5 | 25 | 143 | 74.5  | 8.5 | 10 | 10 | 27.8 | 15 | 46 | 25 |
| ACA3650    | M36×1.5 | 50 | 208 | 114.5 | 8.5 | 10 | 10 | 27.8 | 15 | 46 | 25 |

**Amortizoare de soc**

**Echipamente pneumatice**

**Pentru detalii sau alte informatii va rugam sa ne contactati!**

## **Amortizoare de soc seria ACJ**

**Amortizoare de soc seria ACJ**

**Descriere**

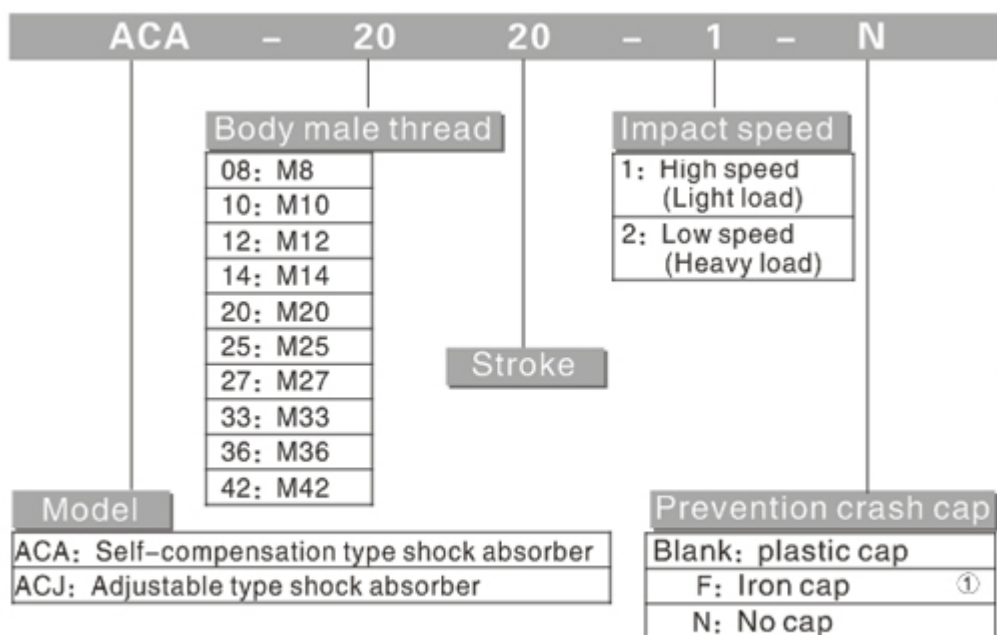
- Rezistentă ajustabilă automat-in funcție de impact.
- Corpul este tratat împotriva coroziunii, uzurii și poate rezista presiunilor ridicate. Usor de instalat și

- reglat, datorita filetelui ce ii acopera intregul corp..
- Procesele speciale de ungere conduc la o amortizare stabila a socului.
  - Structura compacta si absorbtie de energie maxima , ridicata.

## Specificatii

| Model   | Cursa mm | Energia maxima absorbita (Nm) | Energia maxima absorbita/ora(Nm/h) | Masa efectiva maxima(Kg) | Viteza maxima la impact(m/s) | Greutate (g) |
|---------|----------|-------------------------------|------------------------------------|--------------------------|------------------------------|--------------|
| ACJ1007 | 7        | 6                             | 14500                              | 50                       | 4                            | 28           |
| ACJ1210 | 10       | 10                            | 30000                              | 80                       | 4                            | 43           |
| ACJ1412 | 12       | 20                            | 36000                              | 160                      | 4                            | 75           |
| ACJ2020 | 20       | 60                            | 50000                              | 960                      | 4                            | 189          |
| ACJ2525 | 25       | 100                           | 75000                              | 1600                     | 4                            | 308          |
| ACJ2550 | 50       | 150                           | 85000                              | 2400                     | 4                            | 395          |
| ACJ2725 | 25       | 140                           | 85000                              | 2240                     | 4                            | 396          |
| ACJ2750 | 50       | 250                           | 95000                              | 4000                     | 4                            | 510          |
| ACJ3325 | 25       | 180                           | 100000                             | 2880                     | 4                            | 540          |
| ACJ3350 | 50       | 300                           | 110000                             | 4800                     | 4                            | 800          |
| ACJ3625 | 25       | 220                           | 125000                             | 2500                     | 4                            | 750          |
| ACJ3650 | 50       | 350                           | 130000                             | 5600                     | 4                            | 950          |
| ACJ4225 | 25       | 350                           | 150000                             | 5600                     | 4                            | 1150         |
| ACJ4250 | 50       | 700                           | 180000                             | 11200                    | 4                            | 1420         |
| ACJ4275 | 75       | 1050                          | 210000                             | 16800                    | 4                            | 1720         |

## Cod comanda

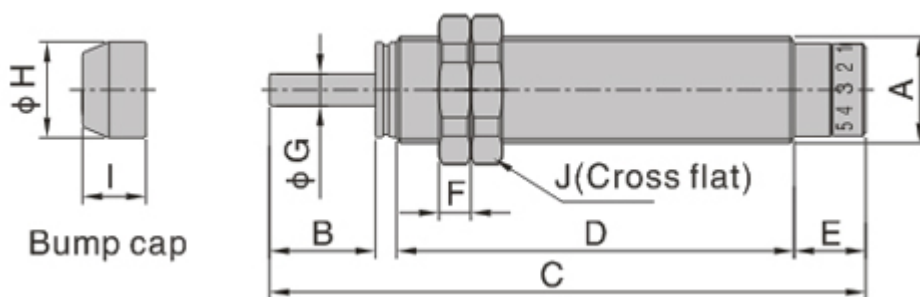


Note<sup>①</sup>: Only for body's male thread:M20 or above.

□La seria ACJ, fara acest cod.

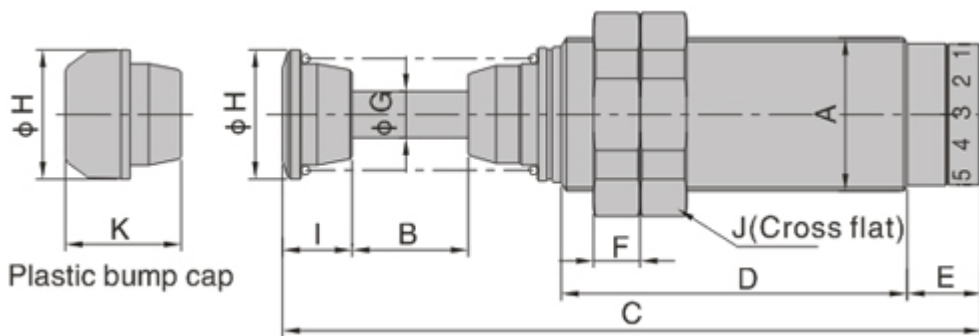
## Dimensiuni

### Tip ajustabil (ACJ)



| Model\Cota | A       | B  | C   | D     | E    | F | G | H   | I  | J  |
|------------|---------|----|-----|-------|------|---|---|-----|----|----|
| ACJ1007    | M10×1.0 | 7  | 65  | 44    | 11   | 4 | 3 | 8.5 | 7  | 14 |
| ACJ1210    | M12×1.0 | 10 | 71  | 46    | 11   | 4 | 3 | 8.5 | 7  | 17 |
| ACJ1412    | M14×1.5 | 12 | 88  | 61    | 11.5 | 6 | 4 | 12  | 12 | 19 |
| ACJ2020    | M20×1.5 | 20 | 118 | 80.5  | 13.5 | 6 | 6 | 18  | 12 | 26 |
| ACJ2525    | M25×1.5 | 25 | 128 | 83.7  | 14.5 | 6 | 6 | 18  | 12 | 32 |
| ACJ2550    | M25×1.5 | 50 | 188 | 118.7 | 14.5 | 6 | 6 | 18  | 12 | 32 |
| ACJ2725    | M27×1.5 | 25 | 135 | 90.2  | 14.5 | 6 | 8 | 23  | 15 | 36 |

|         |         |    |     |       |      |   |   |    |    |    |
|---------|---------|----|-----|-------|------|---|---|----|----|----|
| ACJ2750 | M27×1.5 | 50 | 200 | 130.2 | 14.5 | 6 | 8 | 23 | 15 | 36 |
|---------|---------|----|-----|-------|------|---|---|----|----|----|



| Model\Cota | A       | B  | C     | D     | E  | F  | G  | H    | I  | J  | K  |
|------------|---------|----|-------|-------|----|----|----|------|----|----|----|
| ACJ3325    | M33×1.5 | 25 | 150.5 | 74.5  | 16 | 10 | 10 | 27.8 | 15 | 41 | 25 |
| ACJ3350    | M33×1.5 | 50 | 215.5 | 114.5 | 16 | 10 | 10 | 27.8 | 15 | 41 | 25 |
| ACJ3625    | M36×1.5 | 50 | 150.5 | 74.5  | 16 | 10 | 10 | 27.8 | 15 | 46 | 25 |
| ACJ3650    | M36×1.5 | 50 | 215.5 | 114.5 | 16 | 10 | 10 | 27.8 | 15 | 46 | 25 |
| ACJ4225    | M42×1.5 | 25 | 157   | 79    | 16 | 12 | 12 | 34.8 | 15 | 50 | 25 |
| ACJ4250    | M42×1.5 | 50 | 222   | 119   | 16 | 12 | 12 | 34.8 | 15 | 50 | 25 |
| ACJ4275    | M42×1.5 | 75 | 287   | 159   | 16 | 12 | 12 | 34.8 | 15 | 50 | 25 |