

# **Vacuum lubricated pump ANVM-ANVS 20-70 series**

Mechanical vacuum pump with electric actuator ANVM-ANVS series, ideal for applications where using a compressor is impossible or where high vacuum flow, reduced noise and continuous vacuuming is necessary.

**Model:** Lubricated

**Oil capacity (L):**0.5-1

**Debit:**150 Mc/h

**Mbar vacuum:**10

**Electric motor power (Kw):** 0,55(50Hz) - 0,66(60Hz) – 1,5(50Hz) - 1,8(60Hz)

**Electric motor voltage(V):** 230/400V (Hz50) - 265/460V (Hz60)

**Rotating speed (RPM):** 1450 (50Hz) – 1740 (60Hz)

**Working temperature:** -10°C+80°C

Specifications subject to changes without notice

## Vacuum pumps ANVM-ANVS 20÷70 Series



▪ Lubricated



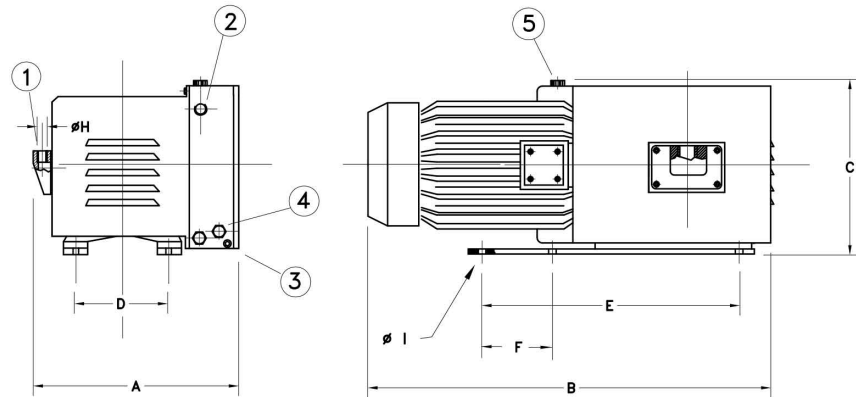
Type	AAVPE-ANVM (ANVS)	20	25	40	70
<b>Vacuum Flow</b>	<b>m<sup>3</sup>/h</b>	20(50Hz)-24(60Hz)	26(50Hz)-31(60Hz)	40(50Hz)-48(60Hz)	70(50Hz)-84(60Hz)
<b>Ultimate vacuum Abs.</b>	<b>mbar</b>	10 (0,5)			
<b>Electric motor Voltage V</b>	<b>3 ~</b>	230/400V (Hz50)-265/460V (Hz60)			
	<b>1 ~</b>	230 Hz50-265V (Hz60)			
<b>Electric motor Power kW</b>	<b>3 ~</b>	0,55(50Hz)-0,66(60Hz)	0,55(50Hz)-0,9(60Hz)	1.11(50Hz)-1.3(60Hz)	1,5(50Hz)-1,8(60Hz)
	<b>1 ~</b>	--	--	--	--
<b>Rotation Speed</b>	<b>(RPM)</b>	1450 (50Hz) - 1740 (60Hz)			
<b>Noise</b>	<b>dbA</b>	64	67	68	69
<b>Max Weight Kg</b>	<b>3 ~</b>	22	24	40	47
	<b>1 ~</b>	--	--	--	--
<b>Oil capacity</b>	<b>lt.</b>	0,5	1	1	1
<b>Dimensions:</b>	<b>mm</b>				
	<b>A</b>	280	300	300	370
	<b>B</b>	345	470	515	640
	<b>C</b>	235	255	255	280
	<b>D</b>	125	135	135	115
	<b>E</b>	100	260	295	370
	<b>F</b>	--	70	70	--
	<b>Ø gas H</b>	1/2"	3/4"	3/4"	1 1/4"
	<b>Ø I</b>	25	30	30	10
<b>ACCESSORIES</b>					
<b>Oil</b>		AAVPE-OLIO-1			
<b>Gas Ballast</b>					
<b>Filter</b>		AAVA-AFCV-025	AAVA-AFCV-025	AAVA-AFCV-060	AAVA-AFCV-100
<b>Vacuum regulation valve</b>					
<b>Vacuum valve</b>					
<b>Vacuum switch</b>					
<b>Safety thermostat</b>					

Specifications subject to changes without notice

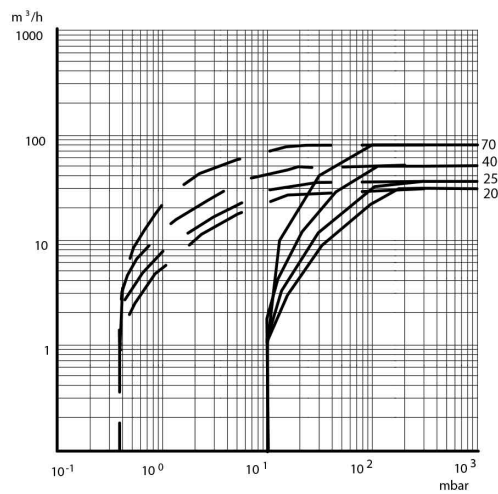
**Vacuum pumps ANVM-ANVS 20÷70 Series**

**Dimensions**

- 1 - INLET
- 2 - EXHAUST
- 3 - OIL DRAIN
- 4 - OIL LEVEL INDICATOR
- 5 - OIL FILL PORT



**Flow Rate diagram**



- ANVM —————
- ANVS - - - - -

▪ 10 Liters tank

**Evacuation time diagram**

