

Vacuum lubricated pump ANVM-ANVS 20-70 series

Mechanical vacuum pump with electric actuator ANVM-ANVS series, ideal for applications where using a compressor is impossible or where high vacuum flow, reduced noise and continuous vacuuming is necessary.

Model: Lubricated

Oil capacity (L):0.5-1

Debit:150 Mc/h

Mbar vacuum:10

Electric motor power (Kw): 0,55(50Hz) - 0,66(60Hz) – 1,5(50Hz) - 1,8(60Hz)

Electric motor voltage(V): 230/400V (Hz50) - 265/460V (Hz60)

Rotating speed (RPM): 1450 (50Hz) – 1740 (60Hz)

Working temperature: -10°C+80°C

Specifications subject to changes without notice

Vacuum pumps ANVM-ANVS 20÷70 Series



▪ Lubricated



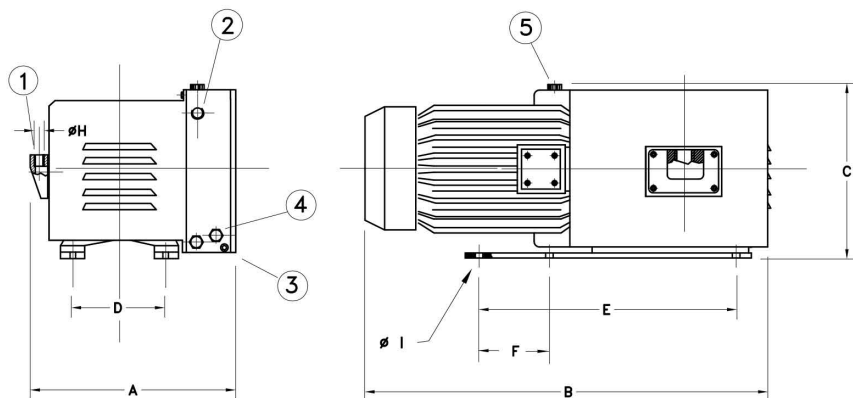
Type	AAVPE-ANVM (ANVS)	20	25	40	70
Vacuum Flow	m³/h	20(50Hz)-24(60Hz)	26(50Hz)-31(60Hz)	40(50Hz)-48(60Hz)	70(50Hz)-84(60Hz)
Ultimate vacuum Abs.	mbar	10 (0,5)			
Electric motor Voltage V	3 ~	230/400V (Hz50)-265/460V (Hz60)			
	1 ~	230 Hz50-265V (Hz60)			
Electric motor Power kW	3 ~	0,55(50Hz)-0,66(60Hz)	0,55(50Hz)-0,9(60Hz)	1.11(50Hz)-1.3(60Hz)	1,5(50Hz)-1,8(60Hz)
	1 ~	--	--	--	--
Rotation Speed	(RPM)	1450 (50Hz) - 1740 (60Hz)			
Noise	dbA	64	67	68	69
Max Weight Kg	3 ~	22	24	40	47
	1 ~	--	--	--	--
Oil capacity	lt.	0,5	1	1	1
Dimensions:	mm				
	A	280	300	300	370
	B	345	470	515	640
	C	235	255	255	280
	D	125	135	135	115
	E	100	260	295	370
	F	--	70	70	--
	Ø gas H	1/2"	3/4"	3/4"	1 1/4"
	Ø I	25	30	30	10
ACCESSORIES					
Oil		AAVPE-OLIO-1			
Gas Ballast					
Filter		AAVA-AFCV-025	AAVA-AFCV-025	AAVA-AFCV-060	AAVA-AFCV-100
Vacuum regulation valve					
Vacuum valve					
Vacuum switch					
Safety thermostat					

Specifications subject to changes without notice

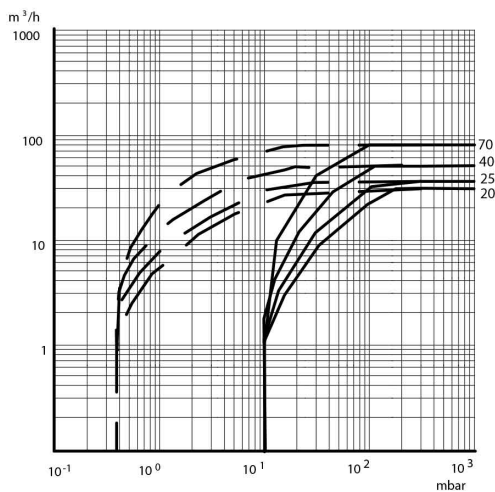
Vacuum pumps ANVM-ANVS 20÷70 Series

Dimensions

- 1 - INLET
- 2 - EXHAUST
- 3 - OIL DRAIN
- 4 - OIL LEVEL INDICATOR
- 5 - OIL FILL PORT



Flow Rate diagram



- ANVM ———
- ANVS - - - -

▪ 10 Liters tank

Evacuation time diagram

