

# Presostat digital cu afisaj PNP/NPN pentru aer si vacuum

Presostatul digital seria DPS este disponibil in varianta cu doua iesiri PNP sau doua iesiri NPN pentru aer comprimat, vacuum sau orice alt gaz excluzand gazele corozive sau inflamabile

Afisajul LCD pe doua randuri permite afisarea cu 4 zecimale a presiunii masurate (rosu) si 3 zecimale pentru setarea presiunii(verde).Poate fi folosit si pentru afisarea presiunii in timp real (functioneaza ca un manometru digital) iar timpul de afisare poate fi setat la 100ms, 250ms, 500ms si 1000ms.

## Ordering code

**DPS N1 □ -01 020 G**

① ② ③ ④ ⑤ ⑥

① Model	② Output type	③ Electrical entry	④ Measurement range	⑤ Lead wire length	⑥ Piping specifications
DPS: Digital Display Pressure Switch	N1: NPN P1: PNP	Space: Plug-in connector I: Pre-wired type [Note]	01: -100kPa~100kPa 10: -100kPa~1,000kPa	020: Length 2m 030: Length 3m 050: Length 5m	G: Male thread G1/8; female thread: M5

Presiunea maxima suportata la intrare in functie de varianta:

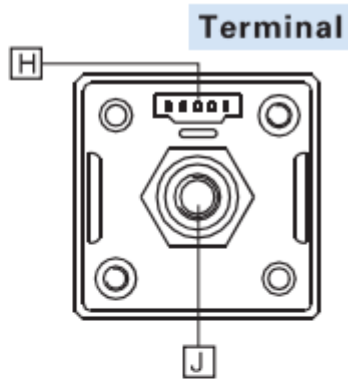
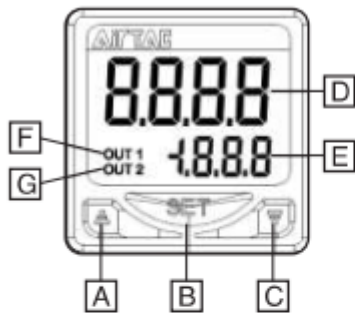
- 20 bar pentru varianta -1/10 bar
- 2 bar pentru varianta -1/1 bar



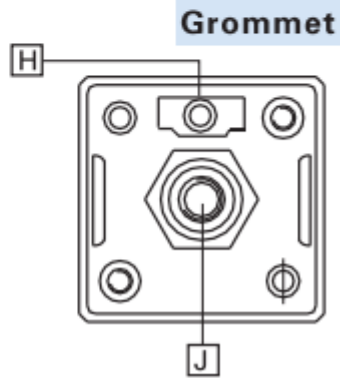
Presiunea poate fi masurata/setata in:

- bar
- kPA
- kgf/cm<sup>2</sup>
- psi
- mmHg
- inHg

Functioneaza cu tensiuni cuprinse intre 12 si 24VDC +/- 10%, temperatura ambientala -20/65°C umiditate 35-80% si temperatura gazului 0-50°C. Tensiunea maxima la iesirea din tranzistor 30V/100mA



No.	Item
A	Value up button
B	Setting button
C	Value Down button
D	Pressure display area
E	Set pressure display area
F	Output 1 indicator light
G	Output 2 indicator light
H	Power and signal connector
J	Pressure input



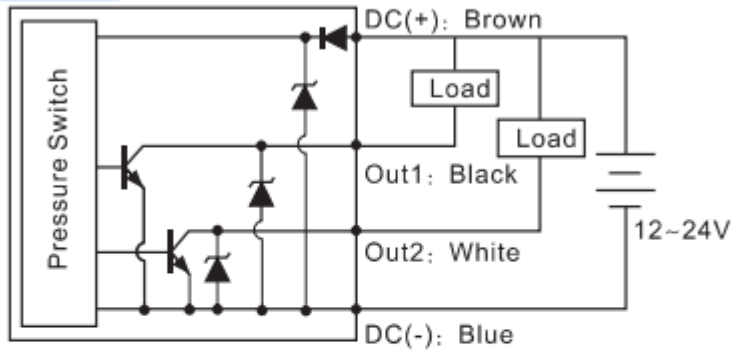
## Detalii tehnice

<b>Input power</b>	<b>Voltage</b>	<b>12~24 VDC ± 10% Ripple(p-p) &lt; 10%</b>
<b>Pressure range</b>	Fluid	Non-corrosive gas
	Measurement range	DPSN1(P1)-01: -100kPa~100kPa
		DPSN1(P1)-10: -100kPa~1,000kPa
	Withstand pressure	DPSN1(P1)-01: 200kPa
		DPSN1(P1)-10: 1500kPa
	Measurement error	± 2% F.S. , ± 1digit(Temperature:25 ± 3°C)
	Repetitive accuracy	± 0.2% F.S.
Temperature error	± 3% F.S.(Base 25°C , Range 0 to 50°C)	
<b>Display</b>	Type	Double row LCD display,4-digit measurement, 3.5-digit setting
	Color	2-color LCD (Red/Green)
	Display period	100ms、250ms、500ms、1,000ms
<b>Output</b>	Output group	DPSN1:Built-in two sets of NPN output
		DPSP1:Built-in two sets of PNP output
	Transistor output	NPN:Maximum applied voltage 30V/100mA,Retained voltage <1.5V
		PNP:Maximum applied voltage 30V/100mA,Retained voltage <1.5V
	Response time	2ms、20ms、50ms、100ms、250ms、500ms 1,000ms、2,500ms、5,000ms
	Hysteresis	DPSN1(P1)-01: 0.1、0.2、0.3..... 0.8(kPa)
DPSN1(P1)-10: 1、2、3..... 8(kPa)		
Output mode	Basic mode, Hysteresis mode, Window comparator mode	
<b>Pressure Unit</b>	DPSN1(P1)-01	kPa、kgf/cm <sup>2</sup> 、bar、psi、mmHg、inHg
	DPSN1(P1)-10	MPa、kPa、kgf/cm <sup>2</sup> 、bar、psi、cmHg、inHg
Vibration resistance		10 to 500Hz with 10mm Amplitude in X, Y, Z directions for 2hrs
Impact resistance		Maximum 100m/s <sup>2</sup> , X, Y, Z directions 3 times each
Operating Temp. range		0~50°C
Stored Temp. range		-20~65°C
Humidity range		35% ~80% RH(No condensation)

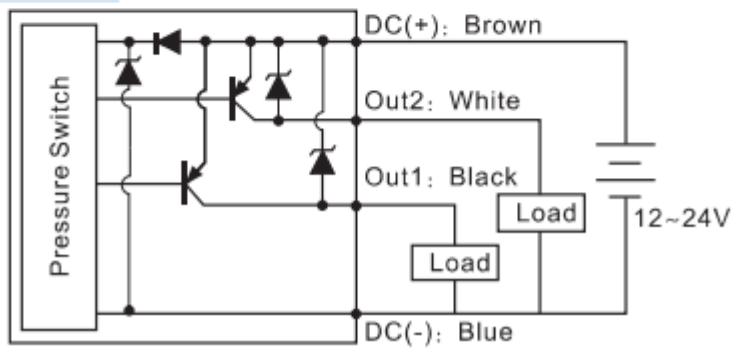
## Exemple de conectare

# Connection Example

## NPN Output



## PNP Output

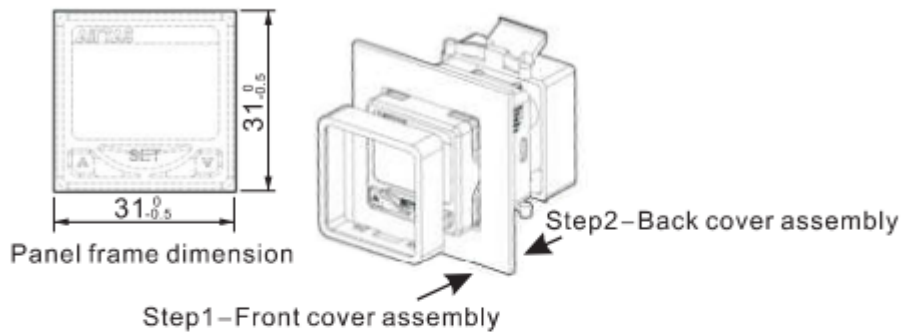


Suporti de fixare

## Dimensions/Assembly Instruction

### Panel mount adapter + Front protective cover

Order the Install accessories (Ordering code: F-DPSEB)



### Bracket

Order the Install accessories (Ordering code: F-DPSLB)

