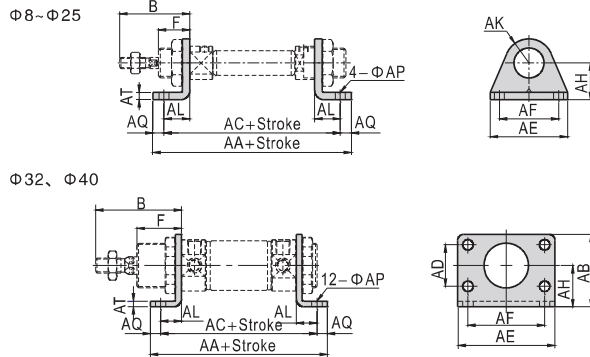


Mini cylinder(Stainless steel, ISO6432)

MI Series—Accessories

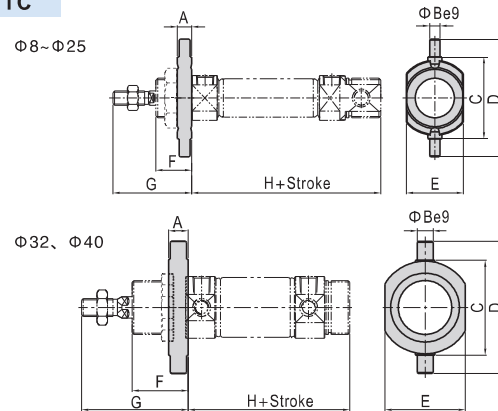
Dimensions

LB



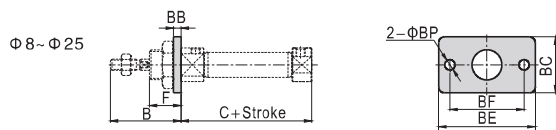
Bore size\Item	AA	AB	AC	AD	AE	AF	AH	AK	AL	AP	AQ	AT	B	F
8	78	-	68	-	35	25	16	10	11	4.5	5	2	28	12
10	78	-	68	-	35	25	16	10	11	4.5	5	2	28	12
12	90	-	78	-	42	32	20	13	14	5.5	6	2.5	38	17
16	96	-	84	-	42	32	20	13	14	5.5	6	2.5	38	17
20	112	-	96	-	54	40	25	20	17	7	8	3	44	20
25	115	-	99	-	54	40	25	20	17	7	8	3	50	22
32	110	49	96	28	66	52	28	-	14	7	7	3.5	58	30
40	149	58	129	30	80	60	33	-	20	9	10	3.5	69	35

TC



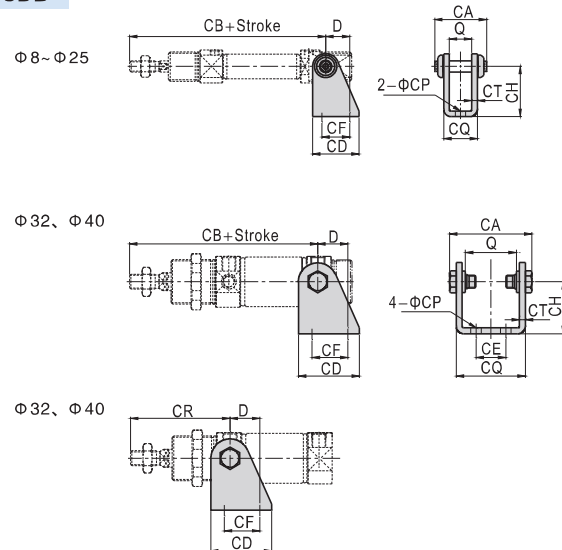
Bore size\Item	A	B	C	D	E	F	G	H
8	6	4	26	38	20	12	28	58
10	6	4	26	38	20	12	28	58
12	8	6	38	58	25	17	38	67
16	8	6	38	58	25	17	38	73
20	8	6	46	66	32	20	44	82
25	8	6	46	66	32	22	50	87
32	11	9	54	74	45	30	58	82
40	12	10	64	84	55	35	69	101

FA



Bore size\Item	B	C	BB	BC	BE	BF	BP	F
8	28	46	2	22	40	30	4.5	12
10	28	46	2	22	40	30	4.5	12
12	38	50	3	30	52	40	5.5	17
16	38	56	3	30	52	40	5.5	17
20	44	62	3.5	40	66	50	7	20
25	50	65	3.5	40	66	50	7	22

SDB



Bore size\Item	D	Q	CA	CB	CD	CE	CF	CH	CP	CQ	CT	CR
8	11	8.1	18.4	76	20	-	12.5	24	4.5	13.1	2	-
10	11	8.1	18.4	76	20	-	12.5	24	4.5	13.1	2	-
12	13	12.1	28	91	25	-	15	27	5.5	18.1	2	-
16	13	12.1	28	98	25	-	15	27	5.5	18.1	2	-
20	16	16.1	38	115	32	-	20	30	7	24.1	2.5	-
25	16	16.1	38	126	32	-	20	30	7	24.1	2.5	-
32	20	34.6	55.5	117	41	20	24	35	7	46.6	3	67
40	27	42.6	69.6	146	52	28	30	40	9	58.6	3	81

[Note] SDB is attached with relevant PIN.

